

**STEP 2:** To set the timer (up to 180 minutes), turn the dial clockwise to the desired time. To use without the timer, turn the dial to 'ON'.

**STEP 3:** Once the drying unit is turned on, zip down the cover, ensuring it is pulled down enough to cover the drying unit and ailer.

**STEP 4:** Once the garments are dry, unzip the cover and switch off the drying unit by turning the dial to the off position. If the timer has been set, the drying unit will automatically switch off once the time has elapsed.

**STEP 5:** Unplug the drying unit and allow it to cool before removing any garments. Unzip the cover and remove from the ailer to allow it to cool.

**STEP 6:** Once cooled, remove the garments with care, as the ailer may still be hot. Take care to unload the garments evenly to prevent the ailer from tipping over.

**STEP 7:** When finished with the unit, remove it from below the ailer and store separately in a cool, dry place.



**NOTE:** Only use with garments that have been spun in a washing machine prior to hanging to avoid damaging the unit. This will ensure the most efficient drying and prevent excess dripping.



**CAUTION:** Do not load the chosen ailer beyond its recommended maximum weight.

**WARNING:** Max operating time is 3 hours – please let the drying unit cool down fully before using again.

## Specifications

Product code: LA034290/KL034306

Input: 220–240 V ~ 50–60 Hz

Output: 1000 W



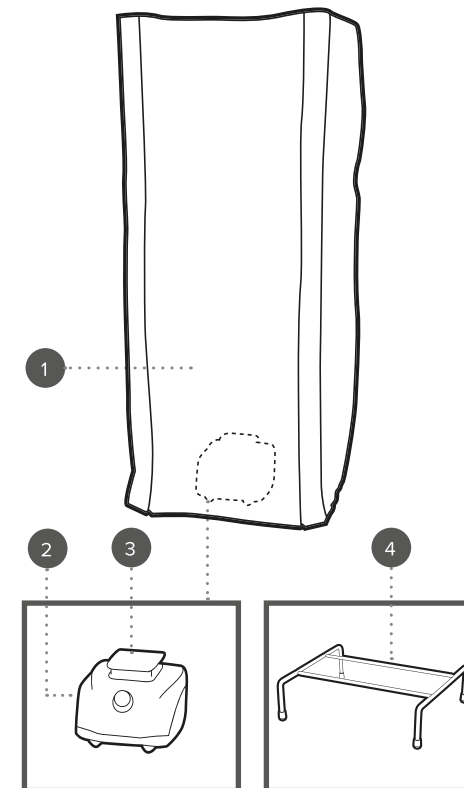
### Disposal of Waste Batteries and Electrical and Electronic Equipment



This symbol on the product, its batteries or its packaging means that this product and any batteries it contains must not be disposed of with household waste. Instead, it is the user's responsibility to hand this over to an applicable collection point for the recycling of batteries and electrical and electronic equipment. This separate collection and recycling will help to conserve natural resources and prevent potential negative consequences for human health and the environment due to the possible presence of hazardous substances in batteries and electrical and electronic equipment, which could be caused by inappropriate disposal. Some retailers provide take-back services which allow the user to return exhausted equipment for appropriate disposal. **It is the user's responsibility to delete any data on electrical and electronic equipment prior to disposal.** For more information about where to drop batteries, electrical and electronic waste off, please contact the local city/municipality office, household waste disposal service, or the retailer.

# User manual

Drying pod



1. Airer cover
2. Drying unit with power cord

3. Heat outlet
4. Drying rack

Manufactured by:  
Ultimate Products UK Ltd.,  
Victoria Street, Manchester OL9 0DD. **UK.**  
Ultimate Products Europe Ltd.,  
19 Baggot Street Lower, Dublin D02 X658. **ROI.**

**MADE IN CHINA.**

CD081122/MD150424/V4

Please retains instructions for future reference.

## SAFETY INSTRUCTIONS

- When using electrical products, basic safety precautions should always be followed.
- Check that the voltage indicated on the rating plate corresponds with that of the local network before connecting the product to the mains power supply.
- Children aged from 8 years and people with reduced physical, sensory or mental capabilities or lack of experience and knowledge can use this product, only if it has been installed in its intended operating position and they have been given supervision or instruction concerning use of the product in a safe way and understand the hazards involved.
- Children should not perform cleaning or user maintenance unless they are older than 8 years and supervised.
- This product is not a toy – children should be supervised to ensure that they do not play with the product.
- Nominal voltage is still present in this product as long as the product is connected to the electrical source.
- If the power supply cord, plug or any part of the appliance is malfunctioning or if it has been dropped or damaged, cease using the product immediately to avoid potential injury.
- This appliance contains no user serviceable parts, only a qualified electrician should carry out repairs. Improper repairs may place the user at risk of harm.
- Keep the product and its power supply cord out of the reach of children and away from heat or sharp edges that could cause damage. This includes any parts of the product that may become hot during use and other heat emitting products.
- Do not run the supply cord under carpets, rugs etc. or anywhere where it may present a trip hazard.
- Do not operate the product with wet hands.
- Do not use this product in the immediate surroundings of a bath, a shower or swimming pool.
- Do not leave the product unattended whilst connected to the mains power supply or when in use.
- Do not remove from the mains power supply by pulling the cord; switch off and remove the plug by hand.
- Do not use this product for extended periods of time.
- Do not leave the product plugged in or operating overnight.
- Do not use this product in small rooms whilst occupied by

persons incapable of leaving the room on their own, unless constant supervision is provided.

- Always unplug the product and allow it to cool fully after use and before any cleaning, maintenance, or storage.
- Do not clean the product with abrasive chemicals or materials such as scourers as they may damage the product and impair future function. This includes insecticide and chemical solvents.
- Do not use the product for anything other than its intended use. This product is intended only for drying textiles washed in water.
- Do not use with delicate textiles, such as silks or non-colourfast garments.
- Do not use this product outdoors.
- Do not attempt to move the product whilst it is in use.
- Do not put objects into any of the openings.
- Do not use the product with a programmer, timer, separate remote-control system or any other device that will switch the product on automatically other than that supplied with the product, as there is a risk of fire if the heater is covered or positioned incorrectly.
- The product should be used on a stable, heat-resistant surface.
- The product must not be located immediately below or next to a mains power supply.
- Never use accessories that are not recommended or supplied by the manufacturer. It could cause danger to the user and damage to the product.
- Use of an extension cord with the product is not recommended.
- This product is intended for domestic use only. It should not be used for commercial purposes.



**CAUTION:** Hot surface – do not touch the hot section or heating components of the product. Some parts of this product can become very hot and cause burns. Particular attention has to be given where children and vulnerable people are present.

## Dos and don'ts

### DO:

Allow at least 150 cm either side of the ailer to prevent any fire hazards.  
Only dry clothes and other articles that can endure at least 75 °C or above.  
Only attempt to dry clothes that have undergone a normal

spin cycle after washing or are thoroughly wrung out after handwashing.

Position the drying unit centrally under the ailer, leaving space between the unit and ailer cover.

Allow sufficient time between uses for the ailer cover to air out and dry.

### DON'T:

Load the chosen ailer beyond its recommended maximum weight. Touch or cover the heat outlet with clothes at any point.

Cover the holes on top of the ailer cover during use.

Leave the drying unit unattended during use.

Leave the drying unit plugged in or operating overnight.

Hang clothes on the bottom bars of the ailer closest to the heat outlet.

## Care and maintenance

Before attempting any cleaning or maintenance, unplug the drying unit from the mains power supply and allow it to cool fully.

Clean the drying unit with a soft, damp, lint-free cloth and dry thoroughly.

Do not immerse the heated ailer in water or any other liquid.

Do not use harsh or abrasive detergents or scourers.

## Instructions for use

### Assembling the drying unit and ailer cover

**STEP 1:** Before plugging the drying unit into the mains power supply, assemble the clothes ailer (not included) and place the drying unit on the floor underneath or on the drying rack provided. The drying unit must be positioned centrally underneath the ailer and on a flat, even surface for best results.

**STEP 2:** Hang up the damp garments on the ailer as required. Load evenly across the ailer to avoid it tipping over.

**STEP 3:** Unzip the ailer cover and place it over the loaded ailer.



**NOTE:** Only spun, well-wrung washing should be added. Take care not to exceed the maximum weight for the chosen ailer.

## Using the drying unit

Once the drying unit has been assembled following the instructions in the section entitled '**Assembling the drying unit and ailer cover**', it is ready to use.

**STEP 1:** Plug the drying unit into the mains power supply and turn on at the switch.