

**Troubleshooting**

Problem	Possible cause	Solution
The vacuum cleaner will not charge.	The mains power adaptor is not securely connected.	Connect the mains power adaptor to the charging port on the vacuum cleaner main unit, following the instructions in the section entitled ' <b>Charging the vacuum cleaner</b> '.
The suction is poor.	The air inlet or attachment is blocked.	Disconnect the attachment and clear the blockage.
	The dust container is almost full.	Empty the dust container following the instructions in the section entitled ' <b>Emptying the dust container</b> '.
	The filter is blocked.	Clean the filter following the instructions in the section entitled ' <b>Cleaning the filter and filter cone</b> '.
The brush bar is not rotating.	The brush bar is blocked due to built-up hair, dust and debris.	Clean the floor brush following the instructions in the section entitled ' <b>Cleaning the floor brush</b> '.

**Specifications**

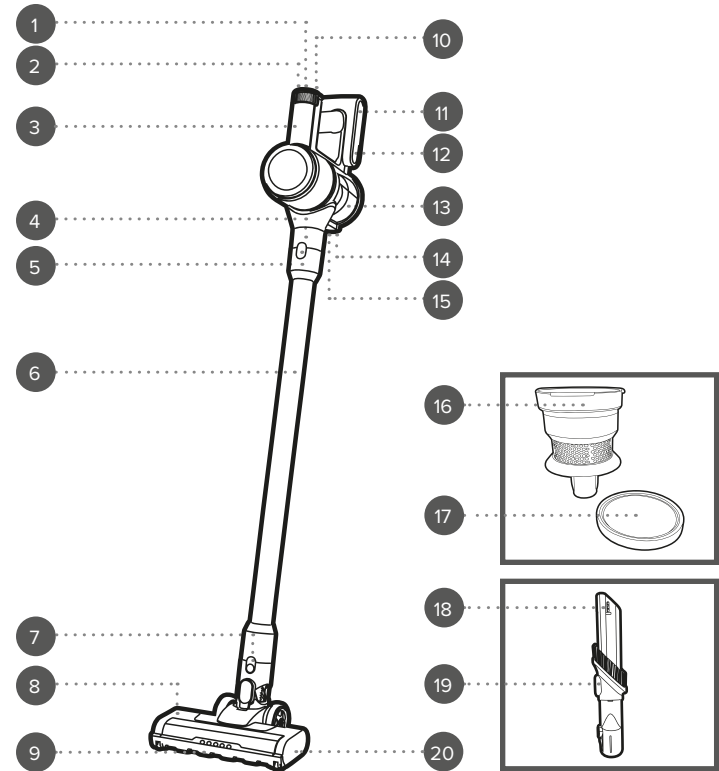
Product code: KL01843  
 Battery: 22.2 V 2200 mAh Li-ion  
 Adaptor input: 100–240 V ~ 50/60 Hz, 0.4 A  
 Adaptor output: 27.0 V = 0.5 A, 13.5 W  
 Average active efficiency: 84.0%  
 Efficiency at low load (10%): 77.0%  
 No load power consumption: 0.09 W  
 Dust tank capacity: 700 ml



**Disposal of Waste Batteries and Electrical and Electronic Equipment**  
 This product is labelled with this crossed out wheel bin symbol in accordance with European Directive 2012/19/EC to indicate that it must not be disposed of with your other household waste. Due to the presence of hazardous substances, mixtures or components, electrical and electronic devices that are not subject to selective sorting are potentially dangerous to the environment and human health. Please check your local city office or waste disposal service for the return and recycling of this product.

# User manual

Cordless vac



- 1. LED indicator lights
- 2. Power button
- 3. Vacuum cleaner main unit
- 4. Air inlet
- 5. Extension tube release button
- 6. Extension tube
- 7. Floor brush release button
- 8. Floor brush
- 9. Brush bar
- 10. Boost button
- 11. Storage hook
- 12. Charging port
- 13. Dust container
- 14. Dust container base release latch
- 15. Dust container release button
- 16. Filter cone
- 17. Washable filter
- 18. Crevice and brush tool
- 19. Crevice tool button
- 20. Brush bar release tab

Manufactured by:  
 Ultimate Products UK Ltd.,  
 Victoria Street, Manchester OL9 0DD. **UK.**  
 Ultimate Products Europe Ltd.,  
 19 Baggot Street Lower, Dublin D02 X658. **ROI.**  
**MADE IN CHINA.**

Please retain instructions for future reference.

## Dos and don'ts

### DO:

Check that the voltage indicated on the rating plate corresponds with that of the local network before connecting the vacuum cleaner to the mains power supply.

Keep the vacuum cleaner away from heat or sharp edges that could cause damage.

Check that the filter is kept clear of obstruction.

Make sure that the dust container and filter are cleaned regularly to preserve suction and prolong the life of the vacuum cleaner.

Switch off the vacuum cleaner and disconnect it from the mains power supply before changing or fitting attachments.

### DON'T:

Use attachments if they are loose, damaged or broken.

Use the vacuum cleaner without the filter or filter cone in position.

Use the power supply cord to recharge non-rechargeable batteries or any other appliance.

## Care and maintenance

Always unplug the vacuum cleaner from the mains power supply before attempting any cleaning or maintenance.

Wipe the external surface of the vacuum cleaner with a soft, damp cloth and allow to dry thoroughly.

Do not use any harsh or abrasive detergents cleaning agents to clean any part of the vacuum cleaner.

Keep the filter clean and replace when it becomes worn.

## Instructions for use

### Before first use

Before using the vacuum cleaner for the first time, clean the exterior surface with a soft, damp cloth and dry thoroughly.

### Charging the vacuum cleaner

Before first use, the vacuum cleaner must be charged for approx. 4–5 hours. Subsequent charging times will vary dependent on use. If the vacuum cleaner battery becomes drained completely during use, it may take up to 4–5 hours to fully recharge.

**STEP 1:** Check that the vacuum cleaner is switched off.

**STEP 2:** Connect the mains power adaptor to the charging port on the handheld unit.

**STEP 3:** Plug the mains power adaptor into the mains power supply; the LED indicator lights will flash during charging. Once the battery is fully charged, the LED indicator lights will remain illuminated.



**WARNING:** Do not use any mains power adaptor other than that supplied. Using an alternative will increase the risk of damage to the appliance or injury to the user.

If the LED indicator lights do not illuminate when the charger is first plugged in:

**STEP 1:** Unplug the charger from the vacuum cleaner.

**STEP 2:** Turn on the vacuum cleaner for approx. 5 seconds.

**STEP 3:** Turn off the vacuum cleaner.

**STEP 4:** Reattach the charger to the vacuum cleaner; make sure it is fully inserted into the charging port.

The LED lights should now illuminate to indicate that the vacuum cleaner is charging.

### Using the vacuum cleaner

**STEP 1:** Check that the vacuum cleaner is disconnected from the mains power adaptor after unplugging it from the mains power supply.

**STEP 2:** Turn on the vacuum cleaner by pressing the power button. The vacuum cleaner will be on the minimum power setting; press the boost button to use the maximum power setting.

### Using the extension tube and floor brush

The extension tube can be fitted onto the air inlet to extend reach, ideal for floor-to-ceiling cleaning.

**STEP 1:** Fit the extension tube onto the air inlet by aligning the pins and carefully pushing the extension tube towards the vacuum cleaner main unit until it clicks into position. To release the extension tube, press the extension tube release button and pull it away from the vacuum cleaner main unit.

**STEP 2:** Attach the floor brush by aligning the pins on the floor brush with the bottom of the extension tube. Carefully push together to secure into place. To release the floor brush, press the floor brush release button and pull it away from the extension tube.

**STEP 3:** Turn on the vacuum cleaner by pressing the power button.



**NOTE:** The floor brush can also be attached directly onto the handheld unit by aligning the pins on the floor brush with the air inlet on the handheld unit. Carefully push together to secure the floor brush in place.

### Using the crevice and brush tool

**STEP 1:** If required, fit the extension tube onto the air inlet following the instructions in the section entitled '**Using the extension tube and floor brush**'.

**STEP 2:** Push the crevice and brush tool onto the end of the extension tube until it clicks into place. If no extension is required, push the crevice and brush tool directly onto the air inlet until it clicks into place.

**STEP 3:** Press the button on the accessory and slide the brush bar back to use as a crevice tool, ideal for removing dust and dirt from corners and recesses.

Press the button on the accessory and slide the brush bar forward to use as a brush tool, perfect for cleaning upholstery and fabrics.

**STEP 4:** To remove the crevice and brush tool, press the release button on the vacuum cleaner main unit or extension tube and pull away.

### Emptying the dust container

To maintain optimum performance, the dust container must be emptied regularly. If there is a reduction in suction power, empty the dust container.

Before emptying the dust container, check that the vacuum cleaner is switched off and any attachments have been removed from the air inlet.

**STEP 1:** Whilst securely holding the vacuum cleaner main unit, press the dust container base release latch. Empty the dust container slowly and carefully to reduce the amount of dust released back into the atmosphere.

**STEP 2:** Close the dust container by pushing the base closed until the dust container base release latch locks back into position.



**NOTE:** It is recommended to empty the dust container outdoors.

Always close the dust container base before using the vacuum cleaner.

### Cleaning the filter and filter cone

The filter can only be accessed when the dust container is open.

**STEP 1:** Empty the dust container following the instructions in the section entitled '**Emptying the dust container**'.

**STEP 2:** Remove the filter and filter cone by rotating them in an anticlockwise direction and lifting them out of the vacuum cleaner main unit.

**STEP 3:** Carefully lift the filter out of the filter cone. Shake the filter until the majority of the dust has been removed, then rinse under clean, warm water and allow to dry naturally.

**STEP 4:** Once the filter is fully dry, place it back into the filter cone. Replace the filter cone by aligning the indents on the filter cone with those on the top of the vacuum cleaner main unit. Secure into place by rotating the filter cone in a clockwise direction.

**STEP 5:** Close the dust container by pushing it firmly shut until it clicks into position.



**NOTE:** The filter and filter cone should be thoroughly cleaned at least once every two weeks. Do not clean the filter using detergents or use external heat sources such as radiators to dry them.



**WARNING:** Do not reassemble or use the vacuum cleaner until the filter is fully dry, as this could cause damage.

## Cleaning the exhaust filter

The exhaust filter is located beneath the nameplate on the vacuum cleaner main unit.

**STEP 1:** To remove the exhaust filter for cleaning, rotate the removable hub cap in an anticlockwise direction and pull it away from the vacuum cleaner main unit.

**STEP 2:** Remove the exhaust filter from the top of the motor.

**STEP 3:** Shake off the exhaust filter until the majority of the dust has been removed, then wash it under clean, warm water and allow to dry thoroughly.

**STEP 4:** Once the exhaust filter has dried fully, slot it back into the exhaust filter housing and replace the removable hub cap, locking it back into place by rotating it in a clockwise direction.



**WARNING:** Do not clean the exhaust filter using detergent. Always allow the exhaust filter and mesh filter to air dry; never use external heat sources, such as a radiator to dry them. Do not wring or twist the exhaust filter as this will cause damage.

Do not use the vacuum cleaner without any of the filters or the filter cone in position, as this could cause damage.

## Cleaning the floor brush

The floor brush has a removable brush bar for easy cleaning.

**STEP 1:** Switch off the vacuum cleaner and remove the floor brush by pressing the floor brush release button and pulling it away from the extension tube.

**STEP 2:** Push the brush bar release tab to the unlocked position and remove the brush bar by pulling it away from the floor brush.

**STEP 3:** Remove any built-up dust, debris and hair from the brush bar and floor brush.

**STEP 4:** Replace the brush bar into the floor brush by aligning it on both sides and pushing in into the floor brush until it clicks.

## Installing the wall mount storage base

The wall mount storage base can be fixed to a wall for convenient storage. If the vacuum cleaner will be stored whilst it is charging, check that the wall mount storage base is close enough to the mains power supply to avoid overstretching the charging wire.

**STEP 1:** Using a pencil, mark the positions of two screw holes on the desired surface. The markings should be horizontally aligned using a spirit level.

**STEP 2:** Using a suitable drill bit, drill pilot holes into the markings.

**STEP 3:** Firmly place the wall plugs into the pilot holes so that they sit flush with the surface of the wall.

**STEP 4:** Position the wall mount storage base onto the surface, aligning the holes on the surface with those on the wall mount storage base.

**STEP 5:** Insert the screws provided through the wall mount storage base and into the wall and tighten so that the wall mount storage base sits flush with the surface. Check that the wall mount storage base has the hook facing upwards.

**STEP 6:** Slide the vacuum cleaner into position on the wall mount storage base, making sure that it engages with the hook.



**NOTE:** Check that the chosen surface is strong enough to support the wall mount storage base and vacuum cleaner. Make sure that the wall mount is secured at an adequate height to store the fully assembled vacuum cleaner.



**CAUTION:** Check that there are no electrical, plumbing or gas supplies situated beneath the surface of the wall. These services normally run vertically or horizontally behind the wall, and the electrical wiring will radiate from the socket, possibly in more than one direction. Testers are available from reputable DIY stores. Consult a qualified professional if required.

## Storage

Check that the vacuum cleaner is cool, clean and dry before storing in a cool, dry place.

Store the mains power adaptor separately, checking that it is not bent at the connections, as this could cause damage to the wires.