



2 IN 1
SWIFT VAC
INSTRUCTION MANUAL



Please retain instructions for future reference.

Safety Instructions

When using electrical appliances, basic safety precautions should always be followed.

Check that the voltage indicated on the rating plate corresponds with that of the local network before connecting the appliance to the mains power supply.

Children aged from 8 years and people with reduced physical, sensory or mental capabilities or lack of experience and knowledge can use this appliance, only if they have been given supervision or instruction concerning use of the appliance in a safe way and understand the hazards involved. Children should be supervised to ensure that they do not play with the appliance.

Unless they are older than 8 and supervised, children should not perform cleaning or user maintenance.

This appliance is not a toy.

If the power supply cord, plug or any part of the appliance is malfunctioning or if it has been dropped or damaged, cease using the product immediately to avoid potential injury.

This appliance contains no user serviceable parts, only a qualified electrician should carry out repairs. Improper repairs may place the user at risk of harm.

Keep the appliance and its power supply cord out of the reach of children.

Keep the appliance out of the reach of children when it is switched on or cooling down.

Keep the appliance and its power supply cord away from heat or sharp edges that could cause damage.

Keep the appliance away from other heat-emitting appliances. Keep the appliance free from dust, lint, hair or anything that may reduce the airflow of the appliance.

Do not immerse the appliance in water or any other liquid.

Do not operate the appliance with wet hands.

Do not leave the appliance unattended whilst connected to

the mains power supply.

Do not remove from the mains power supply by pulling the cord; switch off and remove the plug by hand.

Do not pull or carry the appliance by its power supply cord. Do not use the appliance if it has been dropped or if there are visible signs of damage.

Do not remove from the mains power supply by pulling the cord; switch off and remove the plug by hand.

Do not pull or carry the appliance by its power supply cord.

Do not use this appliance if any of the openings are blocked.

Do not use this product on any loose threads that can get caught and pulled.

Do not use the appliance to pick up flammable liquid, matches, cigarette ends, hot ashes or any hot, burning, or smoking objects.

Do not use this appliance to pick up hard, sharp objects such as glass or nails etc.

Do not use the appliance to pick up water or any other liquid, as this poses risk of an electric shock.

Do not use the appliance for anything other than its intended use.

Do not use any parts/accessories other than those supplied with this appliance, as this may cause damage.

Do not use any damaged accessories.

Do not use this appliance outdoors.

Do not store the appliance in direct sunlight or in high humidity conditions.

Do not use this appliance if any of the openings are blocked.

Do not use the appliance to pick up flammable liquid, matches, cigarette ends, hot ashes or any hot, burning or smoking objects.

Do not use this appliance to pick up hard, sharp objects such as glass or nails etc.

Do not use the appliance to pick up water or any other liquid, as this poses risk of an electric shock.

Take care when equipping accessories with rotating parts as



this could cause entrapment.

Switch off the appliance, disconnect it from the mains power supply and allow to cool fully before changing or fitting accessories and before cleaning or user maintenance.

Always unplug the appliance after use and before any cleaning or maintenance.

Always ensure that the appliance has cooled fully after use before performing any cleaning or user maintenance.

Use of an extension cord with the appliance is not recommended.

Only use the appliance with the power supply unit provided.

This appliance should not be operated by means of an external timer or separate remote control system.

This appliance is intended for domestic use only. It should not be used for commercial purposes.

Thermal Cut-out Device

The handle of the vacuum may get warm during use: this is normal. If the dust container and filter are not cleaned on a regular basis, the vacuum cleaner may overheat. This will cause the thermal cut-out device to activate due to restricted flow of air around the unit. If the vacuum cleaner cuts out, press the power switch to turn it off and unplug it from the mains power supply. Proceed to empty the dust container, clean the filter and allow the vacuum cleaner to cool for approx. 60 minutes.

NOTE: Due to the high suction of the vacuum, the floor brush may encounter resistance during use on high pile carpets. This is normal.

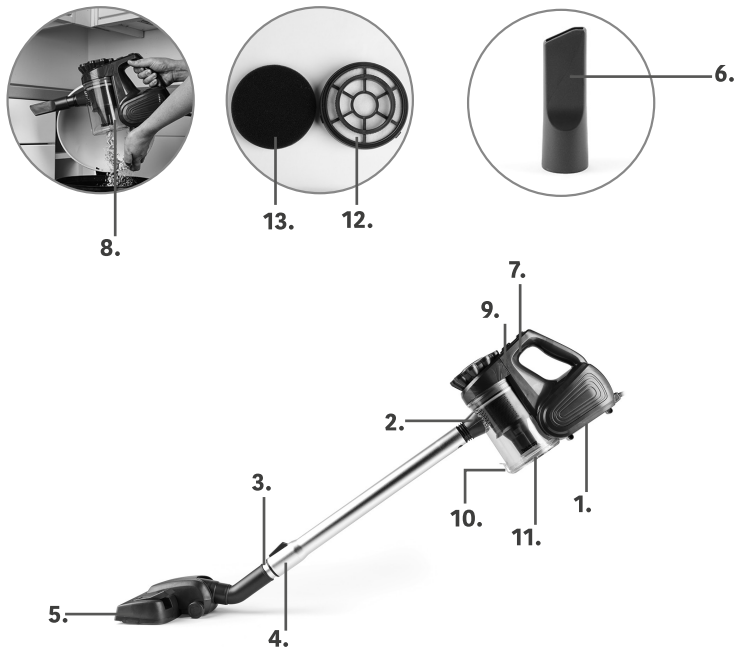
Care and Maintenance

Always unplug the vacuum cleaner from the mains power supply before attempting any cleaning or maintenance.

Wipe the external surface of the vacuum cleaner with a soft, damp cloth and allow to dry thoroughly.

Do not use any harsh or abrasive detergents or cleaning agents to clean any part of the vacuum cleaner.
 Clean the filter every two weeks.
 To clean the inside of the dust container it is possible to remove the cyclonic cone.

Description of Parts



- | | |
|-------------------------------------|---------------------------------------|
| 1. 2 in 1 Swift Vac main body | 8. 600 ml removable dust container |
| 2. Air inlet | 9. Dust container release button |
| 3. Telescopic extension tube | 10. Dust container base release latch |
| 4. Telescopic extension tube button | 11. Cyclonic cone |
| 5. Floor brush | 12. Washable filter |
| 6. 2-in-1 Crevice Tool | 13. Sponge filter |
| 7. Power button | |



Instructions for Use

Before First Use

Before using the vacuum cleaner for the first time, wipe it with a soft, damp cloth and dry thoroughly.

Do not immerse the vacuum cleaner in water or any other liquid.

Using the 2 in 1 Swift Vac

STEP 1: Plug in and switch on the vacuum cleaner at the mains power supply.

STEP 2: Turn on the vacuum cleaner by pressing the power button. To turn off, press the power button again.

NOTE: The vacuum cleaner comes preassembled. If disassembled due to cleaning, ensure that the vacuum cleaner is switched off and unplugged from the mains power supply before refitting any accessories onto the air inlet.

WARNING: Do not use the vacuum cleaner without the washable filter, sponge filter, dust container or cyclonic cone in position. Ensure that both filters and the dust container are regularly cleaned to preserve the suction and prolong the life of the vacuum cleaner.

Using the Telescopic Extension Tube

The floor brush and 2-in-1 crevice and dusting tool and floor brush fit onto the telescopic extension tube to afford a more accessible and convenient clean.

STEP 1: Fit the telescopic extension tube onto the air inlet.

STEP 2: Push the floor brush or 2-in-1 crevice and dusting tool onto the end of telescopic extension tube and secure into place.

STEP 3: Turn on the vacuum cleaner by pressing the power button.

Using the Floor Brush

STEP 1: Fit the telescopic extension tube onto the air inlet.

STEP 2: Push the floor brush onto the end of the telescopic extension tube and secure into place.

STEP 3: Adjust the telescopic extension tube to the required length by pressing the telescopic extension tube button down and sliding the inner tube out.

STEP 4: Turn on the vacuum cleaner by pressing the power button.

Using the 2-in-1 Crevice and Dusting Tool

The 2-in-1 crevice and dusting tool is ideal for removing dust and dirt from folds in fabrics, radiators, corners, recesses and other places that are hard to reach, as well as for removing dust and dirt from shelves, cupboards and windowsills.

Select the desired function by pressing the catch on the tool, sliding the brush upwards for the dusting brush, and downwards for the crevice tool.

STEP 1: Push the crevice and dusting tool directly onto the end of the telescopic extension tube or the end of the air inlet.

STEP 2: Turn on the vacuum cleaner by pressing the power button.

STEP 3: To remove the 2-in-1 crevice and dusting tool, turn off the vacuum cleaner by pressing the power button and then pull the crevice tool firmly from the end of the relevant attachment.

Emptying the Dust Container

Do not use the vacuum cleaner if the dust container is filled past the Max. fill mark, as this could damage the unit or cause injury to the user.

Before emptying the dust container, ensure that the vacuum cleaner is switched off and unplugged from the mains power supply. It is recommended to empty the dust container outdoors.

STEP 1: Whilst securely holding the vacuum cleaner main unit, remove the dust container by pressing the dust container release button and pulling it away from the vacuum cleaner.

STEP 2: Holding the dust container over a bin or refuse bag, pull the dust container base release catch to open the dust container. Empty the dust container slowly and carefully to reduce the amount of dust released back into the atmosphere.

STEP 3: To close the dust container, push the base closed until it locks into position.

STEP 4: Replace the dust container by aligning the slot on the dust container with the clip on the vacuum cleaner main unit and then push it in until it locks into position.

NOTE: The cyclonic cone can be removed from the dust container for easier cleaning.

Do not use the vacuum cleaner if the dust container is filled past the Max. fill mark, as this could damage the unit or cause injury to the user.

Cleaning the Washable and Sponge Filters

The filters can only be accessed when the dust container has been removed.

STEP 1: Remove the dust container by following the instructions in the section entitled ‘Emptying the Dust Container’.

STEP 2: Once the dust container is empty, remove the dust container lid by twisting the lid in an anticlockwise direction, then lifting it away from the dust container.

STEP 3: Rotate the filter in a clockwise direction and pull it out of the cyclonic cone by the handle.

STEP 4: Turn the filter over and remove the sponge filter from inside the washable filter.

STEP 5: Shake both filters until most of the dust has been removed, then rinse under clean, warm water and allow to dry naturally.

STEP 6: Once the filters have fully dried, place the sponge filter back inside the washable filter, and slot the washable filter back into the cyclonic cone, rotating it in a anticlockwise direction to lock it back into position.

STEP 7: Reattach the lid to the dust container by aligning the ‘unlock’ symbol on the lid with the vertical arrow on the rear of the dust container, then twist in a clockwise direction to lock it securely in place.

NOTE: Do not use the vacuum cleaner unless the lid is securely in place.

Do not clean the filter using detergents or use external heat sources such as radiators to dry the filter.

It is recommended to clean the filters once a month, depending on use.

WARNING: Do not reassemble or use the vacuum cleaner until the removable filter is fully dry, as this could cause damage.

Thermal Cut-out Device

If the dust container, cyclonic cone, washable filter and sponge filter are not cleaned on a regular basis, the vacuum cleaner may overheat, which will cause the thermal cut-out device to activate due to restricted flow of air around the unit.

If the vacuum cleaner cuts out, press the power button to turn the unit off and unplug it from the mains power supply. Proceed to empty the dust container, clean the filter and allow the vacuum cleaner to cool for approximately 1 hour before using again.

Storage

Ensure that the vacuum cleaner is cool, clean and dry.

Do not wrap the cord around the unit, as this could cause damage.

Store in a cool, dry place.

Troubleshooting

Symptom	Possible Cause	Solution
The suction is poor.	The accessory or air inlet is blocked. The dust container is almost full. The filters are blocked.	Disconnect the accessory and clear the blockage. Empty the dust container following the instructions in the section entitled 'Emptying the Dust Container'. Clean the filters following the instructions in the section entitled 'Cleaning the Washable and Sponge Filters'.
The vacuum cleaner has stopped working.	The thermal cut-out device has activated due to restricted airflow, and has cut power to the motor to protect the vacuum cleaner.	Turn off and disconnect the vacuum cleaner from the mains power supply. Empty the dust container and clean the filter. Allow the unit to cool for 1 hour.

Specifications

Product code: KL01607

Rated voltage: 220-240 V ~ 50/60 Hz

Rated wattage: 600 W

If this product does not reach you in an acceptable condition please contact our Customer Services Department at www.kleeneze.com.

Please have your delivery note to hand as details from it will be required.

If you wish to return this product please return it to the retailer from where it was purchased with your receipt (subject to their terms and conditions).



Notes

Disposal of Waste Batteries and Electrical and Electronic Equipment



This symbol on the product, its batteries or its packaging means that this product and any batteries it contains must not be disposed of with household waste. Instead, it is the user's responsibility to hand this over to an applicable collection point for the recycling of batteries and electrical and electronic equipment.

This separate collection and recycling will help to conserve natural resources and prevent potential negative consequences for human health and the environment due to the possible presence of hazardous substances in batteries and electrical and electronic equipment, which could be caused by inappropriate disposal. Some retailers provide take-back services which allow the user to return exhausted equipment for appropriate disposal. **It is the user's responsibility to delete any data on electrical and electronic equipment prior to disposal.** For more information about where to drop batteries, electrical and electronic waste off, please contact the local city/municipality office, household waste disposal service, or the retailer.

To be eligible for the extended guarantee,
go to [guarantee.upgs.com/kleeneze](https://www.guarantee.upgs.com/kleeneze) and register
your product within 30 days of purchase.



Manufactured by:
UP Global Sourcing UK Ltd.,
Victoria Street, Manchester OL9 0DD. **UK.**
Edmund-Rumpler Straße 5, 51149 Köln. **Germany.**

©Kleeneze Trademark. All rights reserved.



www.kleeneze.com

CD080223/MD000000/V1