



Staying Houseproud
SINCE 1923



2 IN 1
SWIFT VAC
INSTRUCTION MANUAL



Please retain instructions for future reference.

Safety Instructions

When using electrical appliances, basic safety precautions should always be followed.

Check that the voltage indicated on the rating plate corresponds with that of the local network before connecting the appliance to the mains power supply.

Children aged from 8 years and people with reduced physical, sensory or mental capabilities or lack of experience and knowledge can use this appliance, only if they have been given supervision or instruction concerning use of the appliance in a safe way and understand the hazards involved. Children should be supervised to ensure that they do not play with the appliance.

Unless they are older than 8 and supervised, children should not perform cleaning or user maintenance.

This appliance contains no user serviceable parts. If the power supply cord, plug or any part of the appliance is malfunctioning or if it has been dropped or damaged, do not use. Only a qualified electrician should carry out repairs. Improper repairs may place the user at risk of harm.

Do not remove from the mains power supply by pulling the cord; switch off and remove the plug by hand.

Do not pull or carry the appliance by its power supply cord.

Do not use this appliance if any of the openings are blocked.

Take care when equipping accessories with rotating parts as this could cause entrapment.

Switch off the appliance, disconnect it from the mains power supply and allow to cool fully before changing or fitting accessories and before cleaning or user maintenance.

Use of an extension cord with the appliance is not recommended. This appliance should not be operated by means of an external timer or separate remote control system. This appliance is intended for domestic use only. It should not be used for commercial purposes.

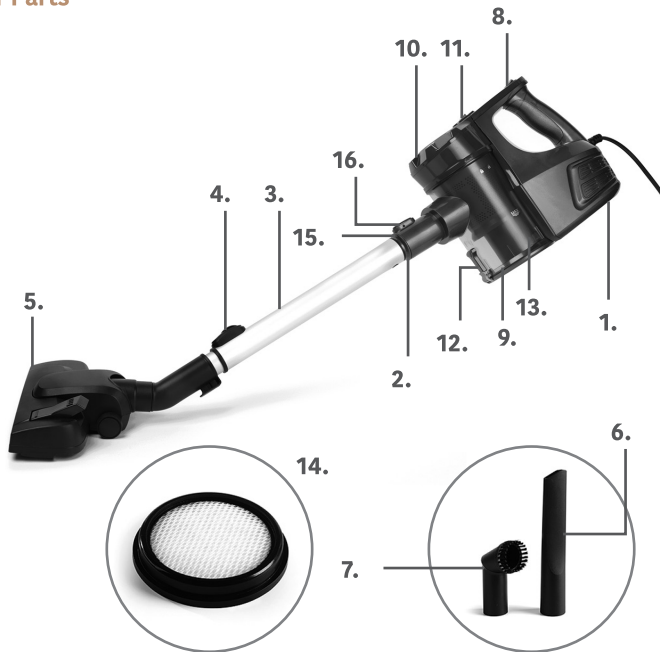
Thermal Cut-out Device

If the dust container and HEPA filter are not cleaned on a regular basis, the vacuum cleaner may overheat. This will cause the thermal cut-out device to activate due to restricted flow of air around the appliance. If the vacuum cleaner cuts out, press the power switch to turn it off and unplug it from the mains power supply. Proceed to empty the dust container, clean the HEPA filter and allow the vacuum cleaner to cool for approx. 1 hour.

Care and Maintenance

Always unplug the vacuum cleaner from the mains power supply before attempting any cleaning or maintenance. Wipe the external surface of the vacuum cleaner with a soft, damp cloth and allow to dry thoroughly. Do not use any harsh or abrasive detergents or cleaning agents to clean any part of the vacuum cleaner. Clean the HEPA filter after every removal of the dust container.

Description of Parts



- | | |
|-------------------------------------|---------------------------------------|
| 1. 2 in 1 Swift Vac handheld unit | 9. 600 ml removable dust container |
| 2. Air inlet | 10. Dust container lid |
| 3. Telescopic extension tube | 11. Dust container release button |
| 4. Telescopic extension tube button | 12. Dust container base release latch |
| 5. Floor brush | 13. Cyclonic cone |
| 6. Crevice tool | 14. HEPA filter |
| 7. Brush tool | 15. Accessory adaptor |
| 8. Power switch | 16. Accessory adaptor button |

Instructions for use

Before First Use

Before using the vacuum cleaner for the first time, wipe it with a soft, damp cloth and dry thoroughly.

Do not immerse the vacuum cleaner in water or any other liquid.

Using the 2 in 1 Swift Vac

STEP 1: Plug in and switch on the vacuum cleaner at the mains power supply.

STEP 2: Turn on the vacuum cleaner by pressing the power switch to the on position. To

turn it off, press the power switch to the off position.

NOTE: The vacuum cleaner comes preassembled, with the accessory adaptor attached to the air inlet. If disassembled due to cleaning, the vacuum cleaner must be switched off and unplugged from the mains power supply before refitting any accessories onto the accessory adaptor. The accessory adaptor can be removed by pressing the accessory adaptor button while pulling it away from the air inlet.

WARNING: Do not use the vacuum cleaner without the HEPA filter, dust container or cyclonic cone in position. Do not use the vacuum cleaner if the dust container is filled past the max. fill mark, as this could damage the vacuum cleaner or cause injury to the user.

Using the Telescopic Extension Tube

The floor brush, crevice tool and brush tool fit onto the telescopic extension tube to allow for a more accessible, convenient clean. Before fitting any accessories onto the accessory adaptor, check that the vacuum cleaner is disconnected from the mains power supply.

STEP 1: Fit the telescopic extension tube onto the accessory adaptor.

STEP 2: Push the chosen attachment onto the end of telescopic extension tube and secure into place.

STEP 3: Adjust the telescopic extension tube to the required length by pressing the telescopic extension tube button down and sliding the inner tube in or out.

STEP 4: Turn on the vacuum cleaner by pressing the power switch.

Using the Floor Brush

STEP 1: Fit the telescopic extension tube onto the accessory adaptor.

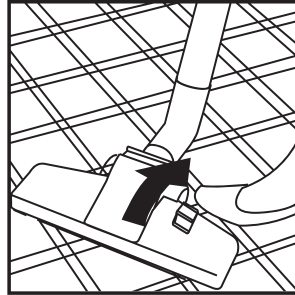
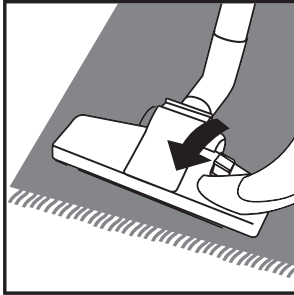
STEP 2: Adjust the telescopic extension tube to the required length by pressing the telescopic extension tube button down and sliding the inner tube in or out.

STEP 3: Push the floor brush onto the end of the telescopic extension tube and secure into place.

STEP 4: Turn on the vacuum cleaner by pressing the power switch.

STEP 5: To remove the floor brush, turn off the vacuum cleaner and then pull the floor brush firmly away from the end of the telescopic extension tube.

NOTE: Lower the switch on the floor brush to expose the bristles for use on hard floors. Lift the switch to hide the bristles for use on carpets.



Using the Crevice and Brush Tools

The crevice and brush tools are ideal for removing dust and dirt from folds in fabrics, radiators, corners, recesses and other places that are hard to reach, including dust and dirt from shelves, cupboards and windowsills.

STEP 1: Push the chosen attachment onto the end of either the telescopic extension tube or the accessory adaptor.

STEP 2: Turn on the vacuum cleaner by pressing the power switch.

STEP 3: To remove the chosen attachment, turn off the vacuum cleaner and then pull the chosen attachment firmly away from the telescopic extension tube or accessory adaptor.

Emptying the Dust Container

Before emptying the dust container, switch off and unplug the vacuum cleaner from the mains power supply. It is recommended to empty the dust container outdoors.

STEP 1: Whilst securely holding the vacuum cleaner main unit, remove the dust container by pressing the dust container release button and pulling the dust container away.

STEP 2: Holding the dust container over a bin or refuse bag, pull the dust container base release latch to open the base of the dust container. Empty the dust container slowly and carefully to reduce the amount of dust released back into the atmosphere. Shake the dust container gently to dislodge any stubborn dust.

STEP 3: To close the dust container, push the base closed until it locks back into position.

STEP 4: Replace the dust container by pushing it into the vacuum cleaner main unit, aligning the indent with the clip.

NOTE: The cyclonic cone can be removed from the dust container for easier cleaning.

Cleaning the Dust Container and HEPA Filter

The filter can only be accessed when the dust container has been removed.

STEP 1: Remove and empty the dust container by following the instructions in the section entitled 'Emptying the Dust Container'.

STEP 2: Once the dust container is empty, remove the dust container lid by twisting it in an anticlockwise direction, and then lift it away from the dust container.

STEP 3: Lift the HEPA filter from the cyclonic cone.

STEP 4: Pull the cyclonic cone out of the dust container and shake.

STEP 5: Shake the HEPA filter until the majority of the dust has been removed, then rinse under clean, warm water and allow to dry naturally.

STEP 6: When the HEPA filter has fully dried, reinsert it into the cyclonic cone and replace the dust container.

STEP 7: Reattach the dust container lid by aligning the 'unlock' symbol with the indent on the side of the dust container, then twist in a clockwise direction to lock it securely in place.

NOTE: Do not use the vacuum cleaner unless the dust container lid is securely in place.

Do not use external heat sources such as radiators to dry the HEPA filter.

It is recommended to clean the HEPA filter every 3 weeks, depending upon use.

WARNING: Do not reassemble or use the vacuum cleaner until the HEPA filter is fully dry, as this could cause damage. Do not use the vacuum cleaner without the HEPA filter or cyclonic cone in position, as this could cause damage.

Storage

Check that the vacuum cleaner is cool, clean and dry before storing in a cool, dry place.

Troubleshooting

Symptom	Possible Cause	Solution
The suction is poor.	<p>The attachment or air inlet is blocked.</p> <p>The dust container is almost full.</p> <p>The HEPA filter is blocked.</p>	<p>Disconnect the attachment and clear the blockage.</p> <p>Empty the dust container following the instructions in the section entitled 'Emptying the Dust Container'.</p> <p>Clean the HEPA filter following the instructions in the section entitled 'Cleaning the Dust Container and HEPA Filter'.</p>
The vacuum cleaner has stopped working.	The thermal cut-out device has activated due to restricted air flow, and has cut power to the motor to protect the vacuum cleaner.	<p>Switch off and unplug the vacuum cleaner from the mains power supply.</p> <p>Empty the dust container and clean it following the instructions in the section entitled 'Cleaning the Dust Container and HEPA Filter'.</p> <p>Allow the vacuum cleaner to cool for approx. 1 hour.</p>

Specifications

Product code: KL0769CFS

Rated voltage: 220–240 V ~ 50–60 Hz

Rated wattage: 600 W

Connection to the mains

Please check that the voltage indicated on the product corresponds with your supply voltage.

Important

As the colours in the mains lead of this appliance may not correspond with the coloured markings identifying the terminals in your plug, please proceed as follows:

The wires in the mains lead are coloured in accordance with the following code:

Blue Neutral (N)

Brown Live (L)

FOR UK USE ONLY - Plug fitting details (where applicable).

The wire coloured **BLUE** is the **NEUTRAL** and must be connected to the terminal marked N or coloured **BLACK**.

The wire coloured **BROWN** is the **LIVE** wire and must be connected to the terminal marked L or coloured **RED**.

On no account must either the **BROWN** or the **BLUE** wire be connected to the **EARTH** terminal (.

Always ensure that the cord grip is fastened correctly.

The plug must be fitted with a fuse of the same rating already fitted and conforming to BS 1362 and be ASTA approved.

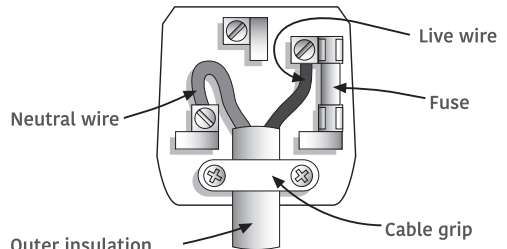
If in doubt consult a qualified electrician who will be pleased to do this for you.

Non-rewireable mains plug

If your appliance is supplied with a non-rewireable plug fitted to the mains lead and should the fuse need replacing, you must use an ASTA approved one (conforming to BS 1362 of the same rating).

If in doubt, consult a qualified electrician who will be pleased to do this for you.

If you need to remove the plug - **DISCONNECT IT FROM THE MAINS** and then cut it off the mains lead and immediately dispose of it safely. Never attempt to reuse the plug or insert it into a socket outlet as there is a danger of an electric shock.





**UP Global Sourcing UK Ltd.,
Manchester OL9 0DD. UK.
Germany. 51149 Köln**

If this product does not reach you in an acceptable condition please contact our Customer Services Department at **www.kleeneze.com**

Please have your delivery note to hand as details from it will be required.

If you wish to return this product please return it to the retailer from where it was purchased with your receipt (subject to their terms and conditions).

Guarantee

All products purchased as new carry a manufacturer's guarantee; the time period of the guarantee will vary dependent upon the product. Where reasonable proof of purchase can be provided, Kleeneze will provide a standard 12 month guarantee with the retailer from the date of purchase. This is only applicable when products have been used as instructed for their intended, domestic use. Any misuse or dismantling of products will invalidate any guarantee.

Under the guarantee, we undertake to repair or replace free of any charge any parts found to be defective. In the event that we cannot provide an exact replacement, a similar product will be offered or the cost refunded. Any damages from daily wear and tear are not covered by this guarantee, nor are consumables such as plugs, fuses etc.

Please note that the above terms and conditions may be updated from time to time and we therefore recommend that you check these each time you revisit the website.

Nothing in this guarantee or in the instructions relating to this product excludes, restricts or otherwise affects your statutory rights.

The crossed out wheelee bin symbol on this item indicates that this appliance needs to be disposed of in an environmentally friendly way when it becomes of no further use or has worn out. Contact your local authority for details of where to take the item for recycling.





*To be eligible for the extended guarantee, go to [guarantee.upgs.com/kleeneze](https://www.guarantee.upgs.com/kleeneze) and register your product within 30 days of purchase.



Manufactured by:
UP Global Sourcing UK Ltd.,
UK. Manchester OL9 0DD.
Germany. 51149 Köln.
Made in China.

©Kleeneze trademark. All rights reserved.
www.kleeneze.com

CD270721/MD000000/V1