



TURBO PET CYLINDER VAC

INSTRUCTION MANUAL



Please retain instructions for future reference.

Safety Instructions

When using electrical appliances, basic safety precautions should always be followed.

Check that the voltage indicated on the rating plate corresponds with that of the local network before connecting the appliance to the mains power supply.

Children aged from 8 years and people with reduced physical, sensory or mental capabilities or lack of experience and knowledge can use this appliance, only if they have been given supervision or instruction concerning use of the appliance in a safe way and understand the hazards involved. Children should be supervised to ensure that they do not play with the appliance.

Unless they are older than 8 and supervised, children should not perform cleaning or user maintenance.

This appliance is not a toy.

This appliance contains no user serviceable parts. If the power supply cord, plug or any part of the appliance is malfunctioning or if it has been dropped or damaged, do not use. Only a qualified electrician should carry out repairs.

Improper repairs may place the user at risk of harm.

Keep the appliance and its power supply cord out of the reach of children.

Keep the appliance out of the reach of children when it is switched on or cooling down.

Keep the appliance and its power supply cord away from heat or sharp edges that could cause damage.

Keep the appliance away from other heat emitting appliances.

Keep the appliance free from dust, lint, hair or anything that may reduce the airflow of the appliance.

Do not immerse the appliance in water or any other liquid.
Do not operate the appliance with wet hands.
Do not expose the appliance to rain.
Do not leave the appliance unattended whilst connected to the mains power supply.
Do not remove from the mains power supply by pulling the cord; switch off and remove the plug by hand.
Do not pull or carry the appliance by its power supply cord.
Do not use the appliance if it has been dropped or if there are visible signs of damage.
Do not use the appliance for anything other than its intended use.
Do not use any parts/accessories other than the parts supplied with this appliance, as this may cause damage.
Do not use any damaged accessories.
Do not use this appliance outdoors.
Do not store the appliance in direct sunlight or in high humidity conditions.
Do not use the appliance to pick up flammable liquid, matches, cigarette ends, hot ashes or any hot, burning or smoking objects.
Do not use this appliance to pick up hard, sharp objects such as glass or nails etc.
Do not use the appliance to pick up water or any other liquid, as this poses risk of an electric shock.
Take care when equipping accessories with rotating parts as this could cause entrapment.
Switch off the appliance, disconnect it from the mains power supply and allow to cool fully before changing or fitting accessories and before cleaning or user maintenance.



Use of an extension cord with the appliance is not recommended. This appliance should not be operated by means of an external timer or separate remote control system. This appliance is intended for domestic use only. It should not be used for commercial purposes.

Thermal Cut-out Device

If the dust container and filters are not cleaned on a regular basis, the vacuum cleaner may overheat, which will cause the thermal cut-out device to activate due to restricted flow of air around the unit. If the vacuum cleaner cuts out, press the power button to turn it off and unplug it from the mains power supply. Proceed to empty the dust container, clean all of the filters and allow the vacuum cleaner to cool for approx. 1 hour.

Dos and Don'ts

Do:

Check that the filters are kept clear of obstruction. Make sure that the dust container and filters are cleaned regularly to preserve suction and to prolong the life of the vacuum cleaner.

Clean the turbo pet brush on a regular basis to keep it free from a build-up of dust and dirt.

Don't:

Use the vacuum cleaner without the filters or dust container in position.

Use the vacuum cleaner to pick up liquid, matches, cigarette ends, hot ashes or any hot, burning or smoking objects.

Empty the dust container indoors.

Pull or lift the vacuum cleaner by its power supply cord.

Care and Maintenance

Always unplug the vacuum cleaner from the mains power supply before attempting any cleaning or maintenance.

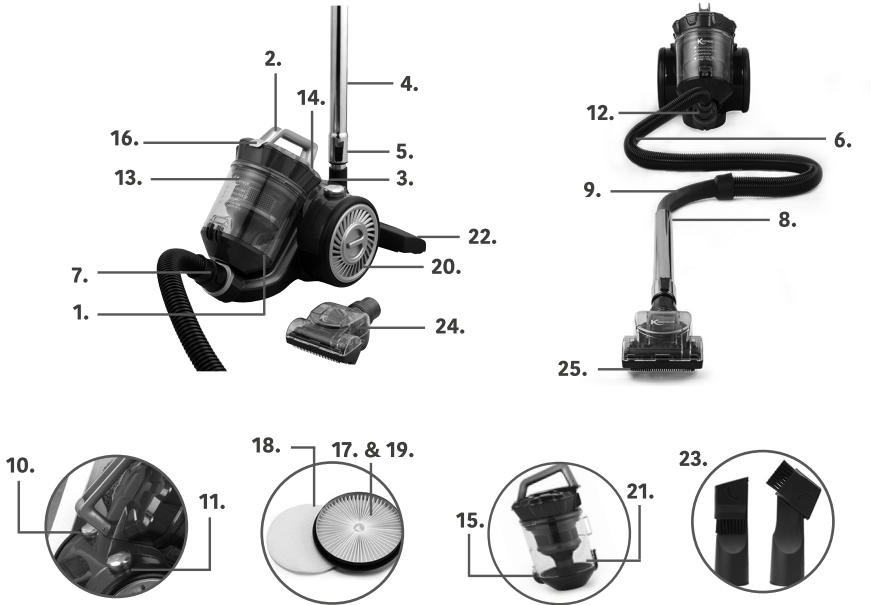
Wipe the external surface of the vacuum cleaner with a soft, damp cloth and allow to dry thoroughly.

Do not use any harsh or abrasive detergents or cleaning agents to clean any part of the vacuum cleaner.

Clean the filters after every removal of the dust container.

Remove the cyclonic cone to clean the inside of the dust container.

Description of Parts



- | | |
|-------------------------------------|--------------------------------------|
| 1. Turbo Pet Cylinder Vac main unit | 14. Dust container release catch |
| 2. Handle | 15. Dust container base release clip |
| 3. Storage clip | 16. Dust container lid release catch |
| 4. Telescopic extension tube | 17. HEPA filter(s) |
| 5. Telescopic extension tube button | 18. HEPA mesh filter |
| 6. Suction hose | 19. Exhaust HEPA filter |
| 7. Suction hose lock | 20. Removable hub cap |
| 8. Suction hose neck | 21. Cyclonic cone |
| 9. Air valve | 22. Floor brush |
| 10. Power button | 23. Crevice/brush tool |
| 11. Cord rewind button | 24. Turbo pet brush |
| 12. Air inlet | 25. Turbo pet brush removable head |
| 13. Dust container | |

Instructions for Use

Before First Use

Before using the vacuum cleaner for the first time, clean it with a soft, damp cloth and dry thoroughly.

Do not immerse the vacuum cleaner in water or any other liquid.

Assembling the Turbo Pet Cylinder Vac

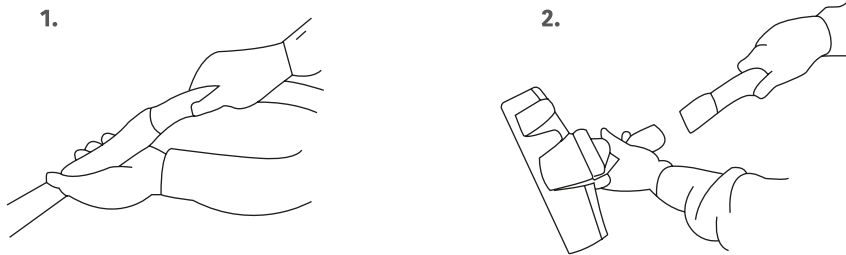
Before fitting any accessories into the air inlet, check that the vacuum cleaner is disconnected from the mains power supply.

STEP 1: Fit the dust container by pushing it onto the vacuum cleaner main unit, aligning the indent on the base of the dust container with the knob on the unit.

STEP 2: To attach the suction hose, insert the suction hose lock into the air inlet.

STEP 3: To remove the suction hose, simultaneously push both locking tabs and pull the suction hose lock firmly away from the air inlet.

Using the Telescopic Extension Tube



The floor brush, crevice/brush tools and the turbo pet brush all fit onto the telescopic extension tube to help to reach into confined spaces, such as behind radiators or underneath car seats.

STEP 1: Fit the telescopic extension tube by pushing the large opening of the telescopic extension tube over the end of the suction hose neck (1).

STEP 2: Push the chosen attachment onto the end of the telescopic extension tube (2).

STEP 3: Adjust the telescopic extension tube to the required length by pressing the telescopic extension tube button down and sliding the inner tube in or out.

STEP 4: Release the telescopic extension tube button to lock the telescopic extension tube into position at the selected length.

Using the Floor Brush

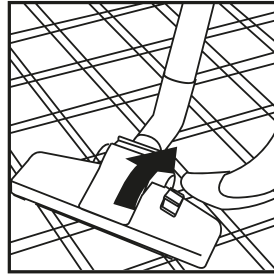
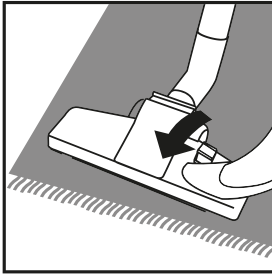
STEP 1: Push the floor brush onto the end of the telescopic extension tube or the suction hose neck (if the telescopic extension tube is not being used).

STEP 2: Select which position on the floor brush is required for the floor type by pressing the switch forwards or backwards. Switching it forwards lifts the brushes for use on carpet and switching it backwards lowers the brushes for cleaning hard floors.

STEP 3: Carefully pull out the power supply cord until it is at a suitable length; do not exceed the red mark. Plug it into the mains power supply.

STEP 4: Turn on the vacuum cleaner by pressing the power button. Press the power button again to switch it off.

NOTE: Open the air valve on the floor brush when vacuuming carpets.



Using the Crevice/Brush Tool

The crevice/brush tool is a 2 in 1 attachment with a rotating head that can be used as either a crevice tool for removing dust and dirt from folds in fabrics, radiators, corners, recesses and other places that are hard to reach, or as a brush tool that is perfect for cleaning shelves, cupboards and windowsills.

STEP 1: Push the crevice/brush tool onto the end of the telescopic extension tube or the suction hose neck if the telescopic extension tube is not being used.

STEP 2: Rotate the head until the desired brush or crevice tool is selected.

STEP 3: Turn on the vacuum cleaner by pressing the power button; press the power button again to switch it off.

NOTE: Do not use the suction hose neck without an accessory attached.

Using the Turbo Pet Brush

The turbo pet brush is perfect for removing pet hairs from carpet or upholstery. The removable head can be fitted onto the turbo pet brush to help to lift embedded, difficult-to-remove pet hairs.

STEP 1: If required, place the removable head over the end of the turbo pet brush and secure it by gently pushing until the two tabs click into place. If not needed, detach the removable head by pushing down on the two tabs and lifting it firmly away from the turbo pet brush.

STEP 2: Push the turbo pet brush onto the end of the telescopic extension tube or the suction hose neck if the telescopic extension tube is not being used.

STEP 3: Turn on the vacuum cleaner by pressing the power button; press the power button again to switch it off.

WARNING: Do not use the turbo pet brush on pets.

After Use

STEP 1: Turn off the vacuum cleaner by pressing the power button.

STEP 2: Switch off and unplug the vacuum cleaner from the mains power supply.

STEP 3: Press and hold the cord rewind button until the power supply cord has completely wound back into the cable drum.

STEP 4: The vacuum cleaner can be stored compactly by clipping the telescopic extension tube to the back of the vacuum cleaner. This will keep the floor brush horizontal and the unit stable.

WARNING: Hold onto the plug to guide the power supply cord back into the vacuum cleaner. Failure to do so may cause damage to the vacuum cleaner or injury to the user.

Cleaning the Turbo Pet Brush

After regular use, the turbo pet brush may become clogged by pet hair and other debris. To maintain optimum performance, it needs to be cleaned frequently.

STEP 1: Remove the turbo pet brush from the telescopic extension tube or suction hose.

STEP 2: Detach the removable head by pushing down on the two tabs and lifting it away from the turbo pet brush.

STEP 3: Unscrew the locking ring from the turbo pet brush air inlet by rotating it in an anticlockwise direction. This will provide access to the brush bar, belt and impeller.

STEP 4: The brush bar and impeller can now be lifted out of the turbo pet brush, allowing for any built-up debris to be removed.

STEP 5: Once the turbo pet brush has been cleaned thoroughly, replace the brush bar, checking that the belt is attached correctly and that the spindle end of the impeller is correctly aligned with the corresponding slot on the brush bar.

STEP 6: Reattach the top back onto the turbo pet brush, aligning the locking tabs at the front first, and then pushing the bottom into position to secure.

STEP 7: Screw the locking ring back into position by rotating it in a clockwise direction on the turbo pet brush air inlet.

NOTE: Take care when clearing the turbo pet brush due to the number of small parts.
Keep the turbo pet brush free from a build-up of dust and dirt.
Clean the turbo pet brush bar on a regular basis.

Emptying the Dust Container

Before emptying the dust container, switch off and unplug the vacuum cleaner from the mains power supply. It is recommended to empty the dust container outdoors.

STEP 1: Whilst securely holding the vacuum cleaner main unit, remove the dust container by pushing the dust container release catch and pulling the dust container away.

STEP 2: Holding the dust container over a bin or refuse bag, pull the dust container base release clip to open the dust container. Empty the dust container slowly and carefully to reduce the amount of dust released back into the atmosphere. Shake the dust container gently to dislodge any stubborn dust.

STEP 3: To close the dust container, push the base closed and secure the dust container release catch back into position.

STEP 4: Replace the dust container by pushing it into the vacuum cleaner main unit, aligning the latch with the indent.

WARNING: Do not use the vacuum cleaner if the dust container is filled past the max. fill mark, as this could damage the vacuum cleaner or cause injury to the user.

Cleaning the Dust Container, HEPA Filter and Mesh Filter

The filters can only be accessed when the dust container has been removed. The cyclonic cone can be removed from the dust container to make cleaning easier.

STEP 1: Empty the dust container following the instructions in the section entitled 'Emptying the Dust Container'.

STEP 2: Once the dust container is empty, close it.

STEP 3: Holding the handle, rotate the dust container cover in an anticlockwise direction from the 'locked' position to the 'unlocked' position, and remove the dust container.

STEP 4: Pull the dust container lid release catch and lift the lid up.

STEP 5: Remove the HEPA filter and the HEPA mesh filter and change with the replacement filters included.

STEP 6: Shake off the used HEPA filter and HEPA mesh filter until the majority of the dust has been removed, then wash them under clean, warm water and allow to dry thoroughly.

STEP 7: If necessary, clean the cyclonic cone and dust container by rinsing with warm water. Allow to dry thoroughly.

STEP 8: Once all of the parts have dried fully, reinsert the cyclonic cone into the dust container, aligning the slots on the unit, and then insert the clean HEPA filter and mesh filter back on top.

STEP 9: Replace the dust container cover and lock back into place by rotating it in a clockwise direction.

NOTE: This vacuum cleaner is provided with replacement HEPA and mesh filters, as well as those already positioned in the machine. Both sets of filters should be used, cleaned, and air-dried on regular rotation.

CAUTION: If the dust container, cyclonic cone, HEPA filters and mesh filters are not cleaned regularly, the thermal cut-out device will activate. For further details, see the section entitled 'Thermal Cut-out Device'.

WARNING: Do not use the vacuum cleaner without any of the filters or the cyclonic cone in position, as this could cause damage.

Cleaning the Exhaust HEPA filter

The exhaust HEPA filter is located behind the right wheel on the vacuum cleaner main unit.

STEP 1: To remove the exhaust HEPA filter for cleaning, rotate the removable hub cap in an anticlockwise direction and pull it away from the wheel.

STEP 2: Remove the exhaust HEPA filter from the exhaust HEPA filter housing.

STEP 3: Shake off the exhaust HEPA filter until the majority of the dust has been removed, then wash it under clean, warm water and allow to dry thoroughly.

STEP 4: Once the exhaust HEPA filter has dried fully, slot it back into the exhaust HEPA filter housing and replace the removable hub cap, locking it back into place by rotating it in a clockwise direction.

WARNING: Do not clean the exhaust HEPA filter using detergent. Always allow the exhaust HEPA filter and mesh filter to air dry; never use external heat sources, such as a radiator to dry them. Do not wring or twist the exhaust HEPA filter as this will cause damage.

Do not use the vacuum cleaner without any of the filters or the cyclonic cone in position, as this could cause damage.

Storage

The floor brush can be positioned into the storage clip for easy storage.
Check that the vacuum cleaner is cool, clean and dry before storing in a clean, dry place.

Troubleshooting

Symptom	Possible Cause	Solution
The suction is poor.	The telescopic extension tube, floor brush, crevice/brush tool, pet turbo brush or air inlet is blocked.	Disconnect the attachment and clear the blockage.
	The dust container is almost full.	Empty the dust container following the instructions in the section entitled 'Emptying the Dust Container'.
	The filters are blocked.	Clean the filters following the instructions in the section entitled 'Cleaning the Dust Container, HEPA Filter and Mesh Filter' and 'Cleaning the Exhaust HEPA filter'.
The vacuum cleaner has cut out or stopped working.	The thermal cut-out device has activated due to restricted air flow, and has cut power to the motor to protect the vacuum cleaner.	Switch off and disconnect the vacuum cleaner from the mains power supply. Empty the dust container and clean the HEPA filter, exhaust HEPA filter and mesh filters. Allow the vacuum cleaner to cool for approx. 1 hour.

Static Electricity

The vacuum cleaner may build up static electricity during use. This can result in static electric shocks when touching metal components of the vacuum cleaner. There is no need to worry if this happens. Discharge the vacuum cleaner by touching the extension tube against other metal objects nearby.

Specifications

Product code: KL0812CFS

Rated voltage: 220–240 V ~ 50–60 Hz

Rated wattage: 700 W

Connection to the mains

Please check that the voltage indicated on the product corresponds with your supply voltage.

Important

As the colours in the mains lead of this appliance may not correspond with the coloured markings identifying the terminals in your plug, please proceed as follows:

The wires in the mains lead are coloured in accordance with the following code:

Blue Neutral (N)

Brown Live (L)

FOR UK USE ONLY - Plug fitting details (where applicable).

The wire coloured **BLUE** is the **NEUTRAL** and must be connected to the terminal marked N or coloured **BLACK**.

The wire coloured **BROWN** is the **LIVE** wire and must be connected to the terminal marked L or coloured **RED**.

On no account must either the **BROWN** or the **BLUE** wire be connected to the **EARTH** terminal (\perp).

Always ensure that the cord grip is fastened correctly.

The plug must be fitted with a fuse of the same rating already fitted and conforming to BS 1362 and be ASTA approved.

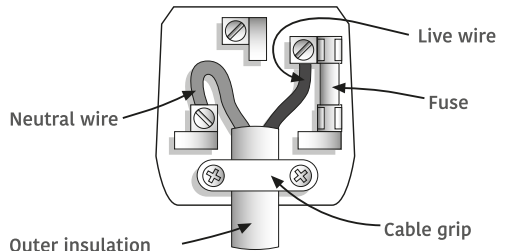
If in doubt consult a qualified electrician who will be pleased to do this for you.

Non-rewireable mains plug

If your appliance is supplied with a non-rewireable plug fitted to the mains lead and should the fuse need replacing, you must use an ASTA approved one (conforming to BS 1362 of the same rating).

If in doubt, consult a qualified electrician who will be pleased to do this for you.

If you need to remove the plug - **DISCONNECT IT FROM THE MAINS** and then cut it off the mains lead and immediately dispose of it safely. Never attempt to reuse the plug or insert it into a socket outlet as there is a danger of an electric shock.



**UP Global Sourcing UK Ltd.,
Manchester OL9 0DD. UK.
Germany. 51149 Köln**

If this product does not reach you in an acceptable condition please contact our Customer Services Department at **www.kleeneze.com**

Please have your delivery note to hand as details from it will be required.

If you wish to return this product please return it to the retailer from where it was purchased with your receipt (subject to their terms and conditions).

Guarantee

All products purchased as new carry a manufacturer's guarantee; the time period of the guarantee will vary dependent upon the product. Where reasonable proof of purchase can be provided, Kleeneze will provide a standard 12 month guarantee with the retailer from the date of purchase. This is only applicable when products have been used as instructed for their intended, domestic use. Any misuse or dismantling of products will invalidate any guarantee.

Under the guarantee, we undertake to repair or replace free of any charge any parts found to be defective. In the event that we cannot provide an exact replacement, a similar product will be offered or the cost refunded. Any damages from daily wear and tear are not covered by this guarantee, nor are consumables such as plugs, fuses etc.

Please note that the above terms and conditions may be updated from time to time and we therefore recommend that you check these each time you revisit the website.

Nothing in this guarantee or in the instructions relating to this product excludes, restricts or otherwise affects your statutory rights.

The crossed out wheelee bin symbol on this item indicates that this appliance needs to be disposed of in an environmentally friendly way when it becomes of no further use or has worn out. Contact your local authority for details of where to take the item for recycling.





*To be eligible for the extended guarantee, go to [guarantee.upgs.com/kleeneze](https://www.guarantee.upgs.com/kleeneze) and register your product within 30 days of purchase.



Manufactured by:
UP Global Sourcing UK Ltd.,
UK. Manchester OL9 0DD.
Germany. 51149 Köln.
Made in China.

©Kleeneze Trademark. All rights reserved.

www.kleeneze.com

CD020921/MD161121/V1