



Staying Houseproud  
SINCE 1923

## 22.2 V CORDLESS Glide



**INSTRUCTION MANUAL**

**UP TO 45 MINUTES OPERATING TIME**



Please read all of the instructions carefully and retain for future reference.

## **SAFETY INSTRUCTIONS**

When using electrical appliances, basic safety precautions should always be followed.

Check that the voltage indicated on the rating plate corresponds with that of the local network before connecting the appliance to the mains power supply.

Children aged from 8 years and people with reduced physical, sensory or mental capabilities or lack of experience and knowledge can use this appliance, only if they have been given supervision or instruction concerning use of the appliance in a safe way and understand the hazards involved.

Children should be supervised to ensure that they do not play with the appliance.

Unless they are older than 8 and supervised, children should not perform cleaning or user maintenance.

This appliance is not a toy.

This appliance contains no user serviceable parts. If the power supply cord, plug or any part of the appliance is malfunctioning or if it has been dropped or damaged, only a qualified electrician should carry out repairs. Improper repairs may place the user at risk of harm.

Keep the appliance out of the reach of children.

Keep the appliance out of the reach of children when it is switched on or cooling down.

Keep the appliance away from heat or sharp edges that could cause damage.

Keep the appliance away from other heat emitting appliances.

Keep the appliance free from dust, lint, hair or anything that may reduce the airflow of the appliance.

Do not immerse the appliance in water or any other liquid.

Do not operate the appliance with wet hands.

Do not expose the appliance to rain.

Do not remove the adaptor from the mains power supply by pulling the cord; switch off and remove the plug by hand.  
Do not use the adaptor to recharge non-rechargeable batteries.  
Do not use the appliance if it has been dropped or if there are visible signs of damage.  
Do not use the appliance for anything other than its intended use.  
Do not use any parts/accessories or adaptors other than those supplied with this appliance, as this may cause damage.  
Do not use any damaged accessories or adaptors.  
Do not use this appliance outdoors.  
Do not store the appliance in direct sunlight or in high humidity conditions.  
Do not use this appliance if any of the openings are blocked.  
Do not use the appliance to pick up flammable liquid, matches, cigarette ends, hot ashes or any hot, burning or smoking objects.  
Do not use this appliance to pick up hard, sharp objects such as glass or nails etc.  
Do not use the appliance to pick up water or any other liquid, as this poses risk of an electric shock.  
The hose should be checked regularly and must not be used if damaged.  
Take care when equipping accessories with rotating parts as this could cause entrapment.  
Switch off the appliance and disconnect it from the mains power supply before changing or fitting accessories.  
Always ensure that the appliance has cooled fully after use before performing any cleaning or user maintenance.  
Use of an extension cord with the appliance is not recommended.  
Only use the appliance with the power supply unit provided.  
This appliance should not be operated by means of an external timer or separate remote control system.  
This appliance is intended for domestic use only. It should not be used for commercial purposes.



**Caution:** The extension tube contains electrical connections. Do not use to pick up water. Do not immerse in water for cleaning. The extension tube should be checked regularly and must not be used if damaged.

## **BATTERY SAFETY**

The supply terminals are not to be short-circuited.

In the event of a battery pack leaking, do not allow the liquid to come in contact with the skin or eyes. If contact has been made, wash the affected area with copious amounts of water and seek medical advice.

Secondary cells and batteries need to be charged before use.

After extended periods of storage, it may be necessary to charge and discharge the battery pack several times to obtain maximum performance.

Do not leave a battery pack on prolonged charge when not in use.

Do not use any charger other than that specifically provided for use with the product.

Do not use any cell or battery which is not designed for use with the product.

Keep batteries out of the reach of children.

Do not dispose of batteries in a fire.

Do not dismantle, open or shred the battery pack.

Do not expose cells or batteries to heat or fire.

Do not crush, puncture, dismantle or otherwise damage the battery pack.

Do not store above 60 °C.

Avoid storage in direct sunlight.

Do not expose the battery pack to heat or fire as it may explode.

Do not subject the battery pack to mechanical shock.

Do not dispose of exhausted battery packs in household waste.

To dispose of the exhausted battery pack, take it to a local recycling station. Contact the local government offices for further details.

This appliance is fitted with a 22.2 V 2200 mAh Li-ion rechargeable battery.

## **DOS AND DON'TS**

### **Do:**

Check that the HEPA filter is kept clear of obstruction. Make sure that the dust container and HEPA filter are cleaned regularly to preserve suction and prolong the life of the vacuum cleaner.

Clean the filter cone and HEPA filter at least every three weeks with clean water to keep the vacuum cleaner working efficiently. Regularly wipe the dust container with a damp cloth.

### **Don't:**

Use the vacuum cleaner without the HEPA filter or dust container in position.

Use the vacuum cleaner to pick up flammable liquid, matches, cigarette ends, hot ashes or any hot, burning or smoking objects. Use the vacuum cleaner to pick up water or any other liquid, as this poses risk of an electric shock.

Expose the dust container to water or any other liquid, as this poses risk of an electric shock.

## **CARE AND MAINTENANCE**

Wipe the external surface of the vacuum cleaner with a soft, damp cloth and allow to dry thoroughly.

Do not use any harsh or abrasive detergents cleaning agents to clean any part of the vacuum cleaner.

Keep the HEPA filter clean and replace when it becomes worn.

## **GETTING STARTED**

Remove the vacuum cleaner from the box.

Remove any packaging from the vacuum cleaner.

Place the packaging inside the box and either store or dispose of safely.

## **IN THE BOX**

22.2 V Cordless Glide main unit

Extension tube

Floor brush

2 in 1 crevice and brush tool

Mains power adaptor

Wall mount storage base

Screws and wall plugs (qty. 3)

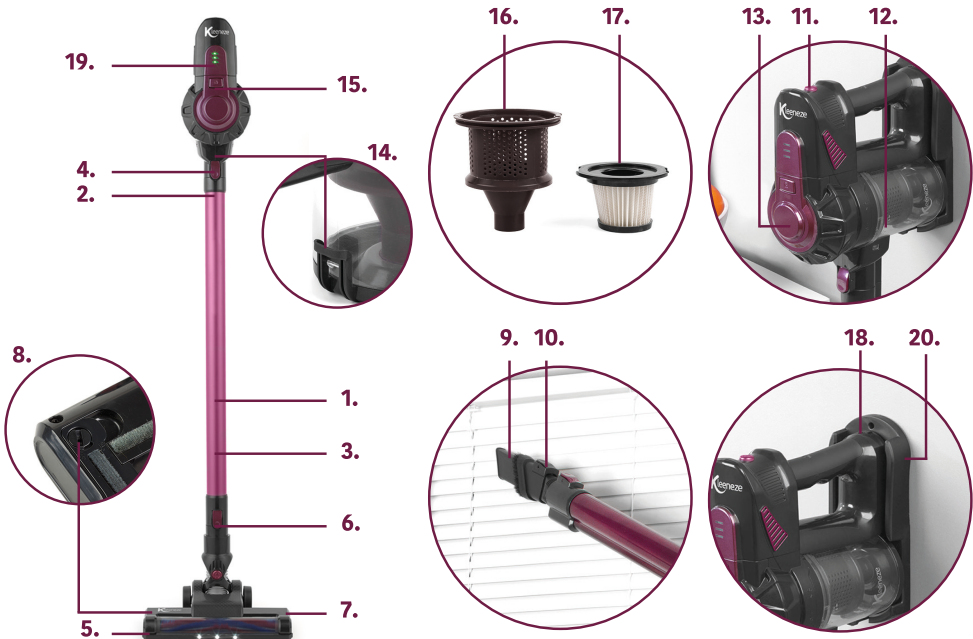
Instruction manual

**FEATURES**

22.2 V lithium-ion battery  
 4-5 hours charge time  
 Easily converts into a handheld unit  
 500 ml dust container  
 Washable HEPA filter

Lightweight design  
 2 speed settings  
 25-45 minutes operating time  
 Includes 2 in 1 crevice and brush tool

**DESCRIPTION OF PARTS**



- 1. Cordless Glide main unit
- 2. Air inlet
- 3. Extension tube
- 4. Extension tube release button
- 5. Floor brush
- 6. Floor brush release button
- 7. Brush bar
- 8. Brush bar release tab
- 9. 2 in 1 crevice and brush tool
- 10. Crevice tool button

- 11. Power button
- 12. Dust container
- 13. Dust container lid
- 14. Dust container base release latch
- 15. Dust container release button
- 16. Filter cone
- 17. HEPA filter
- 18. Charging port
- 19. LED indicator light
- 20. Wall mount storage base

## INSTRUCTIONS FOR USE

### BEFORE FIRST USE

Before using the vacuum cleaner for the first time, clean the exterior surface with a soft, damp cloth and dry thoroughly.

Do not immerse the vacuum cleaner in water or any other liquid.

### CHARGING THE 22.2 V CORDLESS GLIDE

Before first use, the vacuum cleaner must be charged for approx. 4–5 hours. Subsequent charging times will vary dependent on use. If the vacuum cleaner battery becomes drained completely during use, it may take up to 4–5 hours to fully recharge.

**STEP 1:** Check that the vacuum cleaner is switched off.

**STEP 2:** Connect the mains power adaptor to the charging port on the vacuum cleaner main unit.

**STEP 3:** Plug the mains power adaptor into the mains power supply; the LED indicator light will flash during charging and remain illuminated once the battery is fully charged.

**Warning:** Do not use any mains power adaptor other than that supplied. Using an alternative will increase the risk of damage to the vacuum cleaner or injury to the user.

### USING THE 22.2 V CORDLESS GLIDE

**STEP 1:** Check that the vacuum cleaner is disconnected from the mains power adaptor after unplugging it from the mains power supply.

**STEP 2:** Turn on the vacuum cleaner by pressing the power button; press once for the minimum power setting, press twice to use the maximum power setting.

**STEP 3:** To turn off the vacuum cleaner, press the power button.

**Warning:** Do not use the vacuum cleaner without the HEPA filter, filter cone and dust container in position. Clean the HEPA filter regularly to preserve the suction of the vacuum cleaner.

## USING THE EXTENSION TUBE AND FLOOR BRUSH

The extension tube can be fitted onto the air inlet to extend reach, ideal for floor-to-ceiling cleaning.

**STEP 1:** Fit the extension tube onto the air inlet by aligning the pins and carefully pushing the extension tube towards the vacuum cleaner main unit until it clicks into position. To release the extension tube, press the extension tube release button and pull it away from the vacuum cleaner main unit.

**STEP 2:** Attach the floor brush by aligning the pins on the floor brush with the bottom of the extension tube. Carefully push together to secure into place. To release the floor brush, press the floor brush release button and pull it away from the extension tube.

**STEP 3:** Turn on the vacuum cleaner by pressing the power button, press again for high speed and press again to turn it off.

**Note:** The floor brush can also be attached directly onto the vacuum cleaner main unit by aligning the pins on the floor brush with the air inlet on the vacuum cleaner main unit. Carefully push together to secure the floor brush in place.

## USING THE 2 IN 1 CREVICE AND BRUSH TOOL

**STEP 1:** If required, fit the extension tube onto the air inlet following the instructions in the section entitled 'Using the Extension Tube and Floor Brush'.

**STEP 2:** Push the 2 in 1 crevice and brush tool onto the end of the extension tube until it clicks into place. If no extension is required, push the 2 in 1 crevice and brush tool directly onto the air inlet until it clicks into place.

**STEP 3:** Press the crevice tool button and slide the brush bar back to use as a crevice tool, ideal for removing dust and dirt from corners and recesses. Press the crevice tool button and slide the brush bar forward to use as a brush tool, perfect for cleaning upholstery and fabrics.

**STEP 4:** To remove the 2 in 1 crevice and brush tool, press the extension tube release button on the vacuum cleaner main unit or extension tube and pull away.

## EMPTYING THE DUST CONTAINER

Before emptying the dust container, check that the vacuum cleaner is switched off and any attachments have been removed from the air inlet.

It is recommended to empty the dust container outdoors.

**STEP 1:** Whilst securely holding the vacuum cleaner main unit, press the dust container release button and pull the dust container away.

**STEP 2:** Holding the dust container over a bin or refuse bag, pull the dust container base release latch to release the dust container base. Empty the dust container slowly and carefully to reduce the amount of dust released back into the atmosphere.



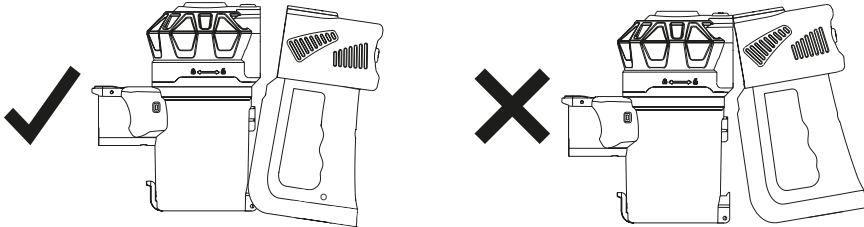
**STEP 3:** To close the dust container, push the base closed and secure the dust container base release latch back into position.

**STEP 4:** Replace the dust container by aligning it with the vacuum cleaner main unit and then, whilst holding the dust container release button, push it into place until secure.

**Note:** Always close the dust container base before using the vacuum cleaner.

**Warning:** The dust container contains electrical connections. Do not expose the dust container to water or any other liquid, as this poses risk of an electric shock.

### CLEANING THE HEPA FILTER



The HEPA filter can only be accessed when the dust container has been removed from the vacuum cleaner main unit.

**STEP 1:** Remove and empty the dust container by following the instructions in the section entitled 'Emptying the Dust Container'.

**STEP 2:** Once the dust container is empty, remove the dust container lid by twisting it in an anticlockwise direction, then lift it away from the dust container.

**STEP 3:** Release the filter cone by lifting it out of the dust container. Lift HEPA away from the filter cone.

**STEP 4:** Shake the HEPA filter until the majority of the dust has been removed, then rinse under clean, warm water, and allow to dry naturally.

**STEP 5:** Once the HEPA filter is fully dry, place it back into the filter cone and rotate it in a clockwise direction until it clicks into place.

**STEP 6:** Replace the filter cone into the dust container.

**STEP 7:** Refit the dust container lid and twist in a clockwise direction to lock it securely into place.

**STEP 8:** Refit the dust container, inserting the bottom part into the unit first and press the dust container release button to fit the dust container into place.

**Note:** Do not clean the filter using detergents or use external heat sources such as radiators to dry it.

**Warning:** Do not reassemble or use the vacuum cleaner until the HEPA filter is fully dry, as this could cause damage.

## **CLEANING THE FLOOR BRUSH**

The floor brush has a removable brush bar for easy cleaning.

**STEP 1:** Switch off the vacuum cleaner and remove the floor brush by pressing the floor brush release button and pulling it away from the extension tube.

**STEP 2:** Twist the brush bar release tab to the unlocked position and pull the plastic cover away from the brush bar.

**STEP 3:** Remove the brush bar by pulling it away from the floor brush.

**STEP 4:** Clean any built-up dust, debris and hair from the brush bar and floor brush.

**STEP 5:** Replace the brush bar into the floor brush by aligning it on both sides, then refit the plastic cover and twist the brush bar release tab to the locked position.

## **INSTALLING THE WALL MOUNT STORAGE BASE**

The wall mount storage base can be fixed to a wall for convenient storage. If storing the vacuum cleaner whilst it is charging, check that the wall mount storage base is close enough to the mains power supply to avoid overstretching the charging wire.

**STEP 1:** Using a pencil, mark the positions of 3 screw holes on the desired surface. The markings should form the outline of a triangle (pointing upwards).

**STEP 2:** Using a suitable drill bit, drill pilot holes into the markings. Consult a qualified professional if required.

**STEP 3:** Firmly place the wall plugs into the pilot holes so that they sit flush with the surface of the wall.

**STEP 4:** Position the wall mount storage base onto the surface, aligning the holes on the surface with those on the wall mount storage base.

**STEP 5:** Insert the screws provided through the wall mount storage base and into the wall and tighten so that the wall mount storage base sits flush with the surface. Check that the wall mount storage base has the hook facing upwards.

**STEP 6:** Slide the vacuum cleaner into position on the wall mount storage base, making sure that it engages with the hook.

**Note:** Check that the chosen surface is strong enough to support the wall mount storage base and vacuum cleaner. Make sure that the wall mount is secured at an adequate height to store the fully assembled vacuum cleaner.

**Caution:** Check that there are no electrical, plumbing or gas supplies situated beneath the surface of the wall. These services normally run vertically or horizontally behind the wall, and the electrical wiring will radiate from the socket, possibly in more than one direction. Testers are available from good DIY stores. Consult a qualified professional if required.

## **STORAGE**

Check that the vacuum cleaner is cool, clean and dry before storing in a cool, dry place. Store the mains power adaptor separately, checking that it is not bent at the connections, as this could cause damage to the wires.

## TROUBLESHOOTING

Symptom	Possible Cause	Solution
The vacuum cleaner will not charge.	The mains power adaptor is not securely connected.	Connect the mains power adaptor to the charging port on the vacuum cleaner main unit, following the instructions in the section entitled 'Charging the 22.2 V Cordless Glide'
The suction is poor.	The air inlet is blocked.  The dust container is almost full.  The HEPA filter is blocked.	Disconnect the attachment and clear the blockage.  Empty the dust container following the instructions in the section entitled 'Emptying the Dust Container'.  Clean the HEPA filter following the instructions in the section entitled 'Cleaning the HEPA Filter'.
The brush bar is not rotating.	The brush bar is blocked due to built-up hair, dust and debris.	Clean the floor brush following the instructions in the section entitled 'Cleaning the Floor Brush'.

## SPECIFICATIONS

Product code: KL0990  
 Battery: 22.2 V 2200 mAh Li-ion  
 Input: 26 V DC 500 mA  
 Dust tank capacity: 500 ml

**NOTES:**



**UP Global Sourcing UK Ltd.,  
Victoria Street, Manchester OL9 0DD. UK.**

If this product does not reach you in an acceptable condition please contact our Customer Services Department by one of the following methods:

Telephone: +44 (0)161 934 2268

\*Telephone lines are open Monday–Friday, 9 am–5 pm (Closed Bank Holidays)

Email: [customersupport@kleeneze.com](mailto:customersupport@kleeneze.com)

Fax: 0161 628 2126

Please have your delivery note to hand as details from it will be required.

If you wish to return this product please return it to the retailer from where it was purchased with your receipt (subject to their terms and conditions).

**Guarantee**

All products purchased as new carry a manufacturer’s guarantee; the time period of the guarantee will vary dependent upon the product. Where reasonable proof of purchase can be provided, Kleeneze will provide a standard 12 month guarantee with the retailer from the date of purchase. This is only applicable when products have been used as instructed for their intended, domestic use. Any misuse or dismantling of products will invalidate any guarantee.

Under the guarantee, we undertake to repair or replace free of any charge any parts found to be defective. In the event that we cannot provide an exact replacement, a similar product will be offered or the cost refunded. Any damages from daily wear and tear are not covered by this guarantee, nor are consumables such as plugs, fuses etc.

Please note that the above terms and conditions may be updated from time to time and we therefore recommend that you check these each time you revisit the website.

Nothing in this guarantee or in the instructions relating to this product excludes, restricts or otherwise affects your statutory rights.

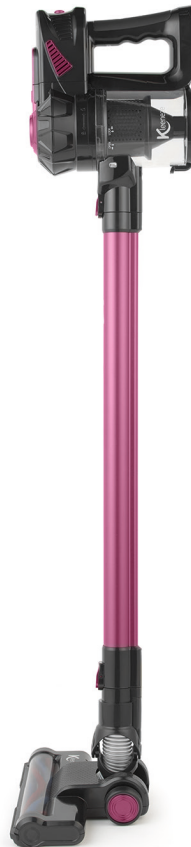
The crossed out wheelee bin symbol on this item indicates that this appliance needs to be disposed of in an environmentally friendly way when it becomes of no further use or has worn out. Contact your local authority for details of where to take the item for recycling.



**3 YEAR**  
Guarantee\*

\*To be eligible for the extended guarantee, go to <http://guarantee.upgs.com/kleeneze/> and register your product within 30 days of purchase.

Rechargeable batteries are not included in the extended manufacturer's guarantee (after the first 12 months).



Manufactured by:  
UP Global Sourcing UK Ltd.,  
Victoria Street, Manchester OL9 0DD. UK  
+44 (0)333 577 9820

[customersupport@kleeneze.com](mailto:customersupport@kleeneze.com)  
©Kleeneze Trademark. All rights reserved.

Please retain instructions for future reference.  
MADE IN CHINA.

CD61019/MD000000/V1

